

SPECIFICATION



SWB103 MAG TUBULAR SWING BARRIER



SWB103 MAG SWING BARRIER

Description

The MAG SWB103 is a sleek and compact automatic motorized DC brushless swing barrier that combines functionality with affordability. Designed with the smallest installation footprint, the SWB103 provides the widest opening clearance—perfect for comfortable passage of large items like boxes, trolleys, wheelchairs, baby strollers, and luggage.

Its tubular design ensures it fits seamlessly into tight spaces, while the top cover allows for easy integration of access control and time attendance readers. The SWB103's simplified design delivers optimal performance at a budget-friendly price, with a modular control system for easy maintenance and quick part replacement.

Commonly paired with a flap barrier or turnstile, the SWB103 serves as an ideal lane for handicapped users in building lobbies, particularly in low-traffic or light-duty areas seeking a cost-effective access solution.

Features

✓ **Customized opening**

The MAG SWB103 offers a customizable opening, with its acrylic gate width adjustable to fit the clearance at any site for a perfect installation. The control system auto-synchronizes two barriers installed in the same lane, ensuring they open and close simultaneously.

✓ **Easy integration**

The swing barrier can be triggered using a simple push button or access control reader through a dry contact signal. Once activated, the gate automatically closes after a preset delay, enhancing convenience.

✓ **Durable and long lasting**

Equipped with an upgraded DC brushless motor, the SWB103 can handle heavy foot traffic with ease. Its high power at low speeds minimizes wear and tear, resulting in a longer lifespan and reduced maintenance.

✓ **Intelligent control**

An intelligent control board with auto-calibration ensures precise opening and closing, guaranteeing the gate always returns to its correct position.

✓ **Double safety**

Optional railings with IR sensors can detect obstacles and automatically halt the gate movement to prevent contact with users. The built-in Automatic Re-bounce System (ARS)

safeguards the gate and gearbox by rebounding the door to its original position if forcefully tampered with.

✓ Emergency recovery

In the event of a power failure, the swing barrier automatically opens, allowing free passage for quick evacuation during emergencies. Once power is restored, the barrier closes automatically.

Technical Parameter

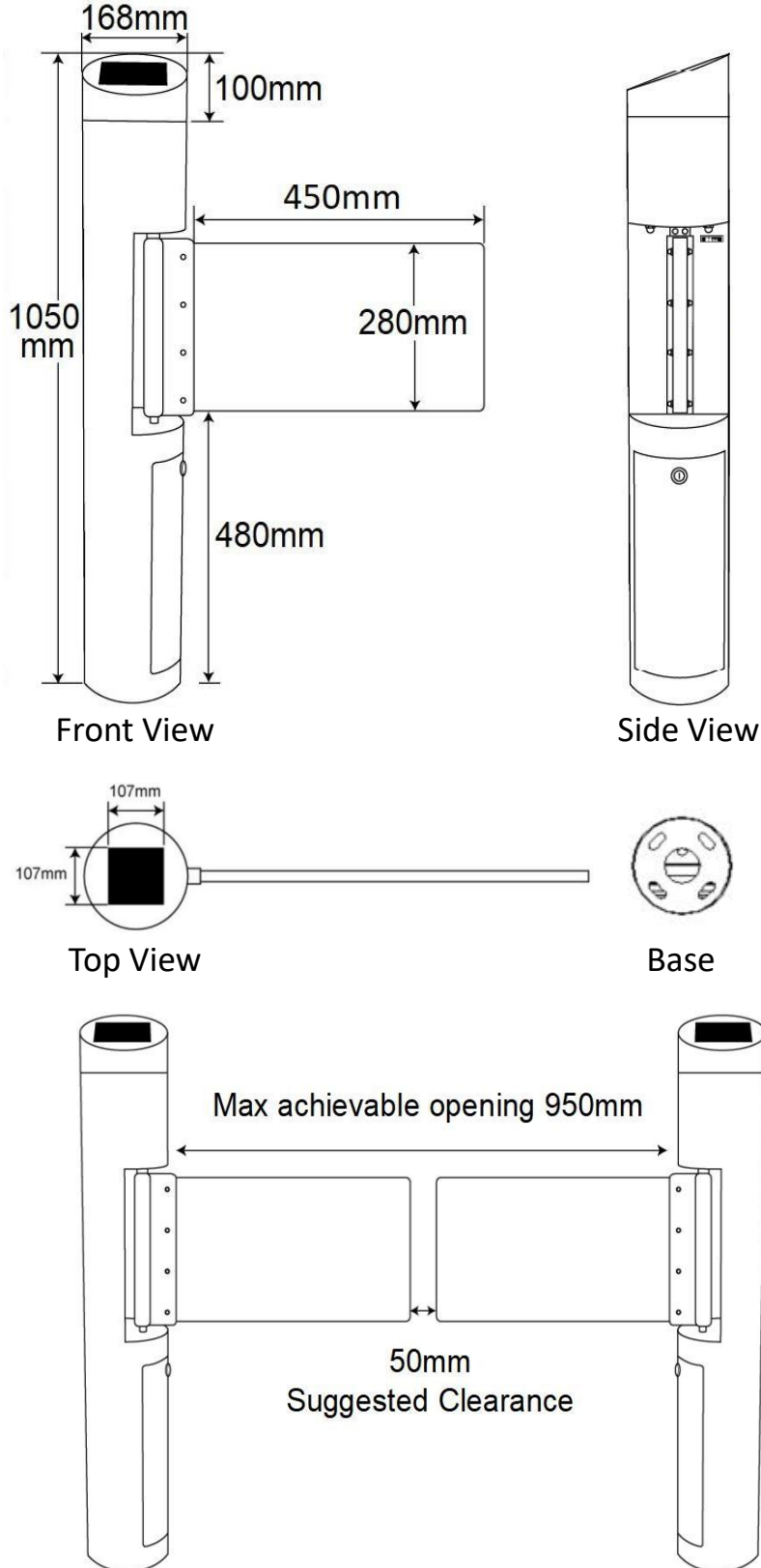
Description	Parameters
Body Material	Acrylic glass, SS304 stainless steel
Door Dimension (Single Panel)	450mm(W) x 280mm(H)
Door opening / closing speed	Programmable, 1s minimum
Optimal flow rate	20 to 25 people per minute
Power supply	AC220V±10%, 50±10%Hz
Power Consumption	30W
Motor	DC Brushless Motor 24V
Input Connection	Dry contact pulse
Working Temperature	-35°C - 75°C
Relative Humidity	≤ 90%, non-condensing
Passage Width (suggested)	950mm
Gate Door Material	10mm acrylic
Cabinet Dimension	168 mm (Diameter) x 1050mm (H)
IP Rating	IP 52
MTBF	3 million cycle

Precaution

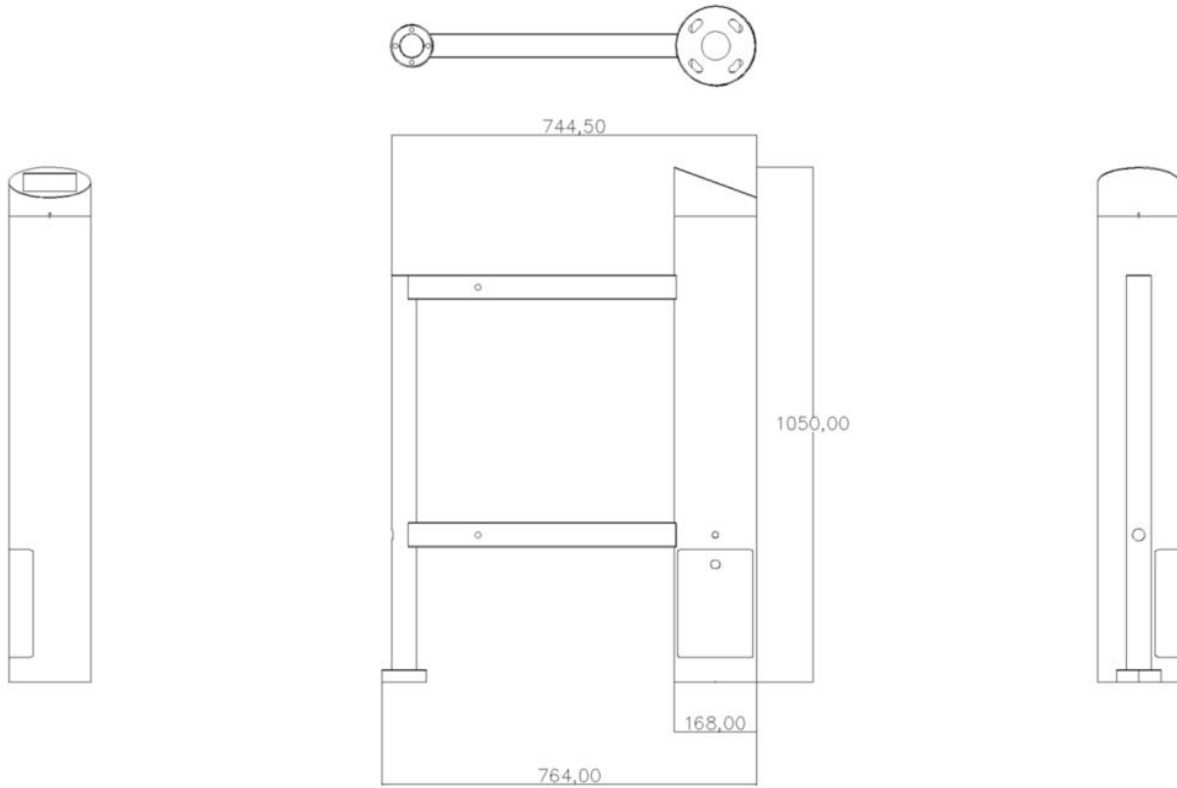
- In case of emergency, isolate the power from the power supply.
- Improper installation can cause danger (such as electric shock or fire). Please engage specialist for the proper installation work.
- DO NOT install the product in a potentially explosive atmosphere.
- DO NOT operate with wet hands.
- If abnormal condition (burnt smell. etc) occurs, switch off the power supply.
- DO NOT operate product when exposed to direct sunlight when cover is opened.
- Strictly indoor or well shaded application.
- NOT Water proof.

Technical Drawing

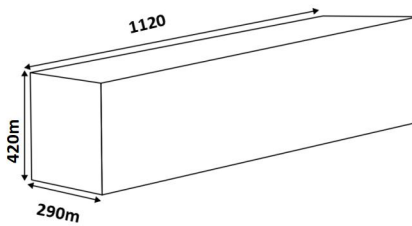
(Dimension in mm unless specified)



Optional Railing



Packaging Information



Model	SWB103 (2 Nos in 1 Box)
Dimension Box	290 (W) x 1120 (L) x 420 (H) mm

***Product performances is based on testing in a controlled environment. Your result may vary due to several external and environment factors.**



© COPYRIGHT 2024. This documentation served as a reference only. It is subject to change without further notice. All the diagrams and information in this documentation may not be duplicated or modified in any form without the written approval from the management.