

MGA16022-V2 – 16CH 5MP Lite HD Hybrid AI DVR

WWW.MAG.COM.MY



Description

GA16022 series sets a new standard for security DVRs. With 16 channels of real-time 5MP high resolution recording, this hybrid DVR seamlessly integrates both analog and IP cameras, offering unparalleled flexibility in your security setup. Equipped with advanced H.264, H.265, and H.265+ high profile compression formats, along with cutting-edge SOC technology, the MGA16022 ensures real-time recording on every channel while maintaining exceptional system robustness.

Equip with True mobility surveillance at a very affordable price. Now not only you could stream up to 16 ch live view on your smart phone (both IOS and Android), You could also playback previously recorded videos. Video clips can be searched by date or time and playback 1 ch at a time.

The new version of MGA16022-V2 I powered by state-of-the-art artificial intelligence, this DVR can detect and differentiate between humans and vehicles, providing a new level of precision in surveillance. Whether it's monitoring your home, business, financial institution, or government facility, the MGA16022 series is designed to meet the diverse security needs of today's world.

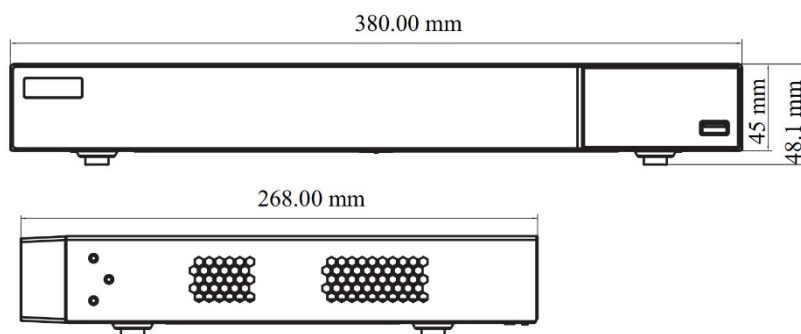
Features

1. 8 / 16 CH AHD/TVI/CVI video input 5MP/1080P/ 720P/ 960H recording
2. Support 1CH IPC 3MP/1080P / 720P / 960H / D1recording.
3. Multi-mode recording: manual / timer /motion
4. Playback: 4/8/16 CH simultaneously playback.
5. Search: time slice, time, events (motion, manual, sensor), tag search
6. Express and flexible backup via USB, network.
7. Pentaplex: preview, record, playback, backup, and remote access
8. Multiuser online simultaneous.
9. Authorization management, log review and device status review.
10. HDMI 4K output, true high-resolution display.
11. Support PTZ present and auto cruise up to 128 presets and 8 cruises.
12. Powerful smart AI Features to differentiate Human and Vehicle
13. smart phone surveillance supporting iPhone and Android.
14. Support NAT function, support QR code scanning by mobile phone.
15. Complete SDK software available, easy to integrate with other applications.
16. Adopt standard H.264 high profile compression format to get high-quality video at much lower bit rate.
17. Intuitive and user-friendly Graphics User Interface (GUI), window style operation by mouse.
18. Dual stream technology for local storage with high definition, remote network transmission and remote surveillance with mobile device
19. Remote control via IE or CMS: preview, playback, backup, PTZ, and configuration.
20. DHCP, DDNS, PPPoE network protocol, IE browser and CMS supported.

Technical Parameter

Camera Input	16 Coaxial + 8 IPC
Operating System	Embedded Linux
Mode	Pentaplex (Live / Recording / Playback / Network / Backup)
Video Compression	H.264, H.265
Video System	PAL / NTSC
AI Intelligent	Human and Vehicle Detection
Analog Video Input	TVI/AHD/CVI: 5MP/4MP/3MP/1080P/1080P Lite/720P/720P Lite.
IP Video Input	Up to 5MP@20fps
Video Output	1x VGA, 1x Full HD 1080p HDMI and 1x CVBS
Alarm Input/Output	16 Alarm In / 4 Alarm out
Audio	8ch Audio in / 1ch Audio out
Audio Compression	G.711
Recording	WD1(960x676), 720p(1320x1080), 1080-Lite(1920x540) @25fps/ch 1080p (1920x1080)@12fps/ch , 5MP-Lite (1296x1944) @10fps/ch
Recording Mode	Manual, Motion and Schedule.
Recording Search Mode	By Date, Time, Motion and Camera
Storage	SATA x 2, max 8T per HDD
Backup Mode	USB Pendrive , Network and External HDD (via USB)
Network Connection	RJ45, 10/100 Base-T
Network Protocol	TCP/IP, PPPoE, DHCP, DNS, DDNS, UPnP, NTP, SMTP
Bandwidth	32 Mbps in / 80 Mbps out
Mobile Surveillance	Android and IOS (Super live Plus)
PC Surveillance	IE and CMS
Power Supply	DC 12V, 3A (<15W without HDD)
Working Environment	-10°C ~ +50°C, 10~90% Humidity
Dimension (L x W x H)	380(W) x267(D) x 43(H)mm, 1.0kg w/o HDD

Dimension



***Product performances is based on testing in a controlled environment. Your result may vary due to several external and environment factors.**



© COPYRIGHT 2024. This documentation served as a reference only. It is subject to change without further notice. All the diagrams and information in this documentation may not be duplicated or modified in any form without the written approval from the management.