

LIVIX

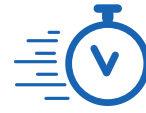
Automation for residential sliding gates
up to 900 Kg



For residential usage



Available in 230V and 24V



#fastasyoulike!
Standard or fast speed
motors (16 m/min for art.
LIVI 6/24X/M-BOOST)



LIVI/X

Improved aesthetics and features



All our products are made with high quality materials, such as steel and bronze, which guarantee reliability over time.



New slotted fixing holes offer greater adjustment during installation, ensuring backward compatibility with previous LIVI models

New ABS crankcase for greater weather resistance. Increased degree of protection compared to previous models (IP44)



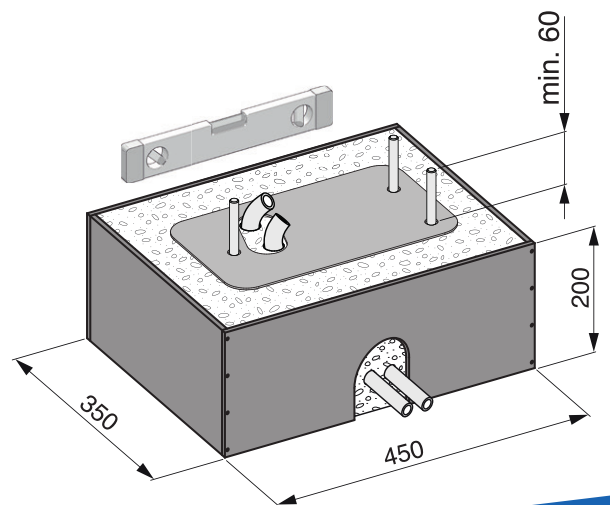
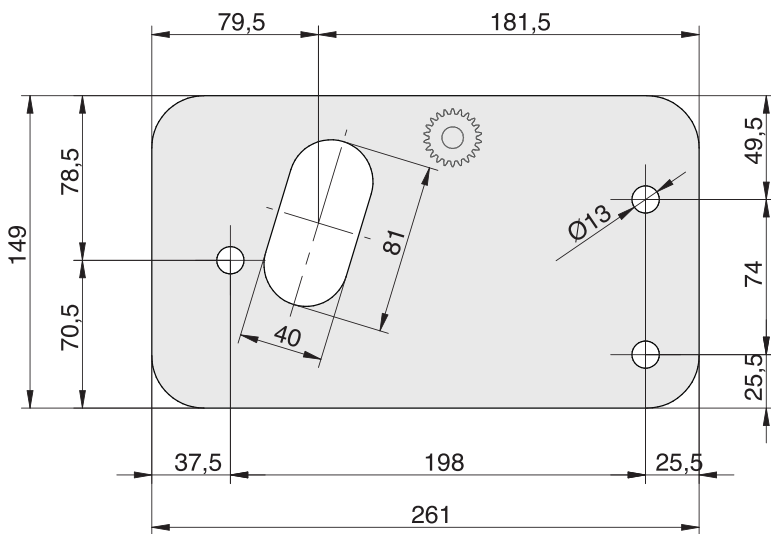
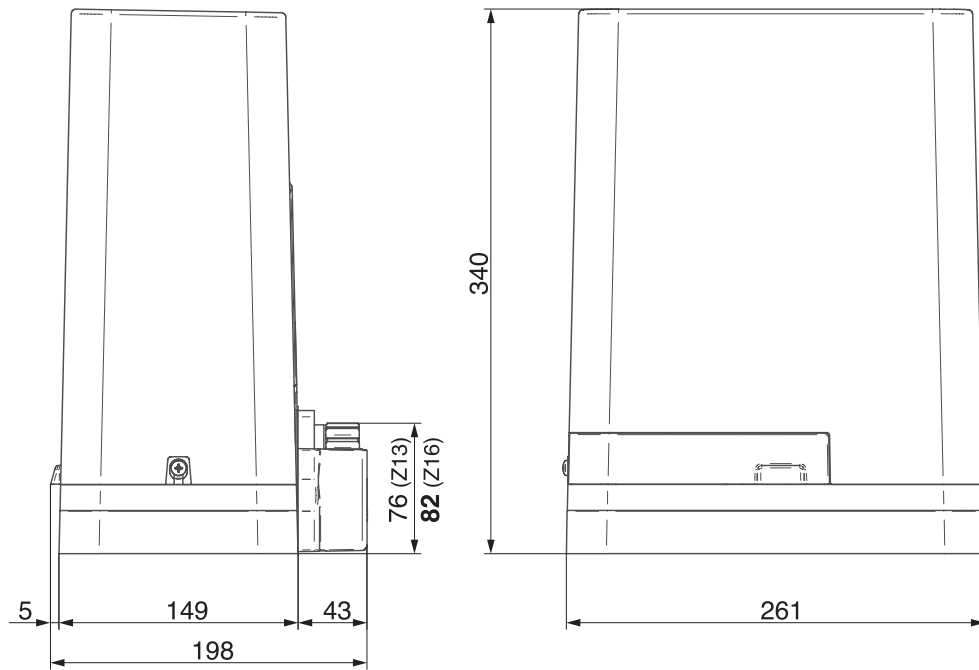
The LIVI/X is equipped with a new magnetic limit switch system, consisting of a new technology sensor and a set of magnets attached to the multi-adjustable rack.



LIVI/X	Opening speed	10 m/min
--------	---------------	----------

Note: the opening speed could decrease according to the installation characteristics

Dimensions



DEA[®]
move as you like

HEADQUARTER
DEA SYSTEM S.p.A.
Via della Tecnica, 6 - 36013 Piovene Rocchette (VI) - ITALY
☎ + 39.0445.55.07.89 - 📠 + 39.0445.55.02.65
info@deasystem.com - www.deasystem.com

Branches > Italia, France, United Kingdom, Ireland, España,
Portugal, Polska, Deutschland.