

SWB320

Elevate your building lobby impression.

Swing barrier

SWB320 is designed to be the slimmest of all pedestrian gates. Its slim form factor saves space and allows you to put more gates to digest higher traffic. Its stylish design elevates the premium atmosphere of any building lobby. A high-speed motor is used to achieve a faster pass-through rate.

SWB320 offers a wide and full clearance opening to allow pedestrians with luggage to pass through with comfort.

1 Minimum maintenance

Advanced servo-controlled motor optimizes rotation speed to minimize maintenance and achieve the lowest operation noise.

2 Elegant design

Slim round-ended design, built with premium stainless steel and acrylic glass, accentuated with intuitive RGB LED indicators to elevate your building entrance and impress your visitors.

3 Double safety

Reliable infrared sensor will detect obstacles and prevent door panels from closing. Smart algorithm will detect small force obstructing motor motion and auto-reverse, minimizing the risk of injury.

4 Emergency evacuation

SWB320 will automatically open during power failure, or can be configured to open immediately when a fire alarm signal is received.

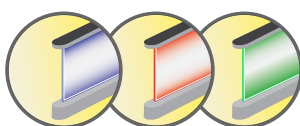
5 Illegal access alarm

Reliable IR sensor will detect illegal access and trigger a buzzer during tailgating attempts, intruder coming in at opposite direction, and illegal entry without a valid access signal.

6 Flexible operation mode

Supports multiple access memory, IR sensor-triggered auto-opening, single or bi-directional access.

Special effect



Blue light to indicate standby.

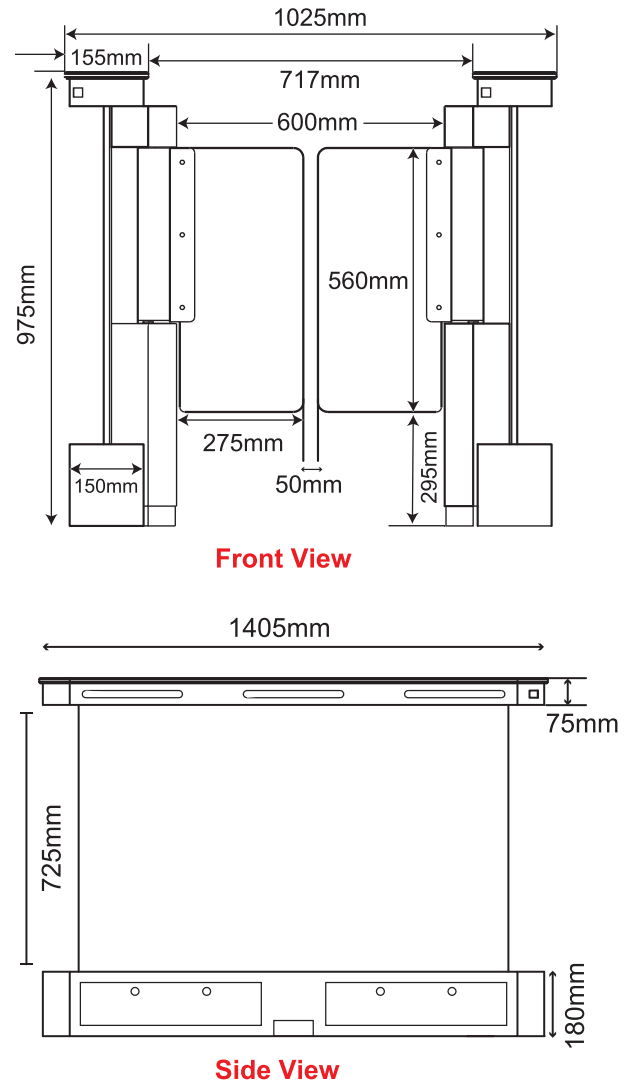
Red light to indicate alarm (invalid entry).

Green light to indicate valid entry.

Technical specification

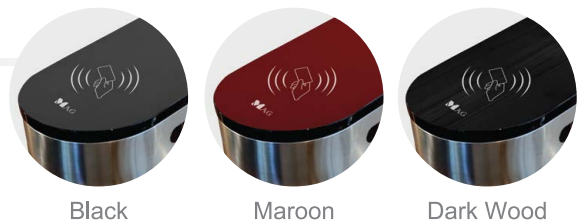
Body material	Acrylic glass, SS304 stainless steel 1.5mm
Door Dimension (Single Panel)	275mm(W) x 560mm(H)
Door opening / closing speed	Programmable, 0.7s minimum
Optimal flow rate	30 people per minute
Power supply	AC220/110V±10%, 50/60Hz
Power Consumption	<30W (Standby) / 100W (aperational)
Motor	DC Brushless Servo Motor, 140W/24V
Input Connection	Dry contact pulse > 500ms
Working environment	Indoor only
Working temperature	-15°C - 60°C
Relative humidity	≤ 90%, non-condensing
Passage width (suggested)	620mm
Gate door material	12mm acrylic
Cabinet dimension	1400(L) x 1028(W) x 980(H) mm
IP rating	IP 44
MTBF	5 million cycles

Dimension

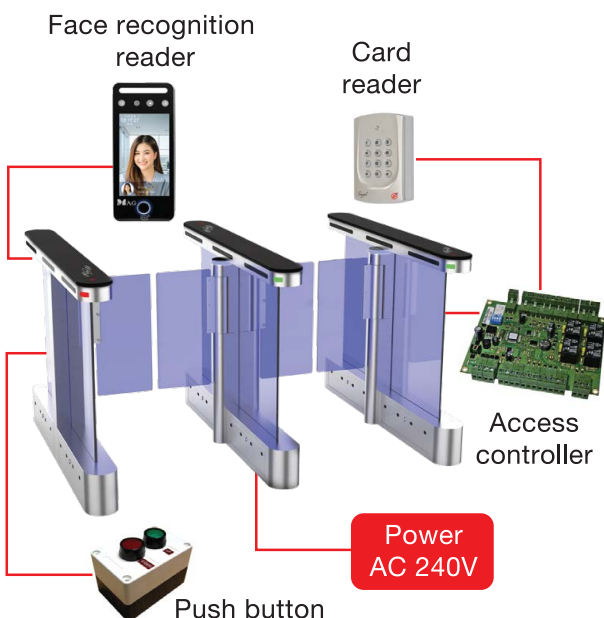


Special customization

We streamlined the design added a durable matte finish with 3 colors customization (black, maroon and dark wood) to make the SWB310 look premium and versatile without the high cost.



Wiring diagram



Ordering info

Model No	Description
SWB321	Single door panel
SWB322	Dual door panel

Authorised Dealer:

Accessories



Push Button

Copyright © 2024 Magnet Security & Automation Sdn Bhd All rights reserved.

All specification, drawing and product info are subject to change without prior notice.

