

SPECIFICATION



ALPR-X100 MAG ALPR 2MP Camera



ALPR-X100

MAG Automatic License Plate Recognition 2MP

Description

Introducing the ALPR-X100, the pinnacle of license plate recognition technology. Engineered with precision and cutting-edge AI, this advanced system delivers unparalleled accuracy and speed in identifying and capturing vehicle license plates.

Key Features

- **Superior Accuracy** : Boasting industry-leading accuracy rates, the ALPR-X100 can reliably recognize license plates in various lighting conditions and angles.
- **Real-time Processing**: With its powerful processing capabilities, the ALPR-X100 can capture and process license plates in real time.
- **Robust Hardware**: Built to withstand harsh environments, the ALPR-X100 features durable construction and weatherproofing to ensure reliable performance in outdoor settings.
- **Versatility**: The ALPR-X100 is designed to be adaptable to various environments and use cases from security surveillance to parking access control.

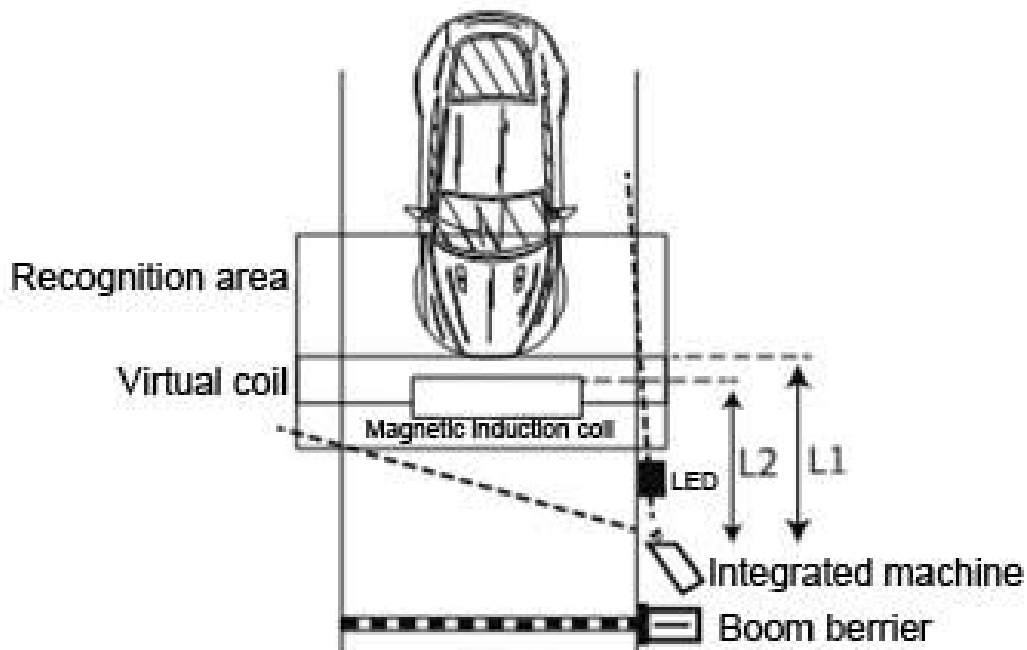
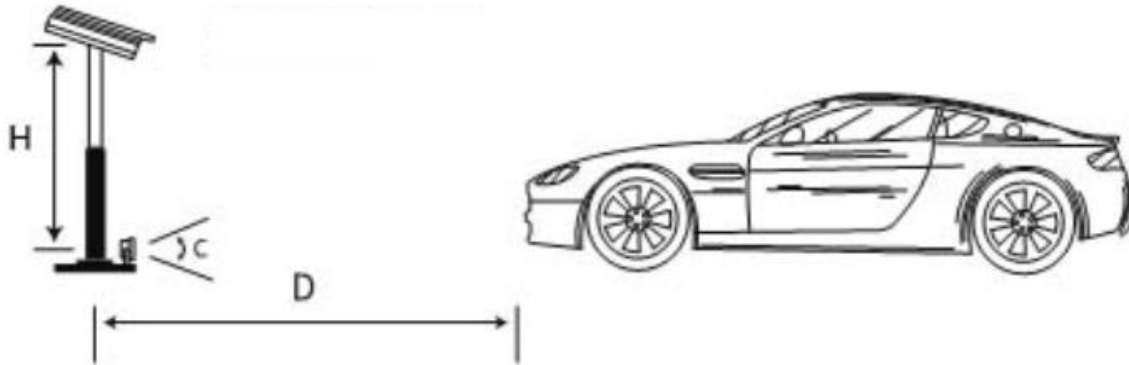
Technical Parameters

General	
Power Supply	220VAC - 240VAC (50hz/60hz)
Power Consumption	≤ 20W
Power Output	12VDC 2A
Operating Temperature	-20°C - 70°C
IP Rating	IP66
Dimensions	452mm x 130mm x 104mm (L x W x H)
Camera	
Image Sensor	1/2.8" Starlight CMOS
Resolution	1920 x 1080
Lowest Illumination	0.01lux (color)
Standard Configuration	5 - 50mm motorized zoom lenses
Wide Dynamic	Support
Electronic Shutter	0 - 1 ms (auto/manual)
Video	
Compression	H265/H264/MJPEG
Resolution	640*360, 704*576, 1280*720, 1920*1080
Bit Rate	512 kbps - 5000 kbps
Frame Rate	1 - 25 frames, (default 25 frames @ 1920*1080)
Image Setting	Brightness, Contrast, Saturation, Image flip, exposure time, etc
Noise Reduction	Support 2D/3D noise reduction
Interface	
Network Interface	RJ-45 (10/100Mbps)
I/O output	2 channel
I/O Input	4 channel
RS485	1 channel
SD Card Slot	1 Micro SD Card Slot up to 128GB
Communication protocol	ONVIF, HTTP, RTSP, TCP/IP
Intelligence	
Capturing rate	Capturing rate $\geq 99.99\%$
Recognition rate	Recognition rate $\geq 90\%$ (standard JPJ license plate)
ISP	Intelligent ISP (Image Signal Processor), scene-adaptive
Barrier Control	Relay out to control Barrier Gate
Detection Mode	Support Video detection or loop detection

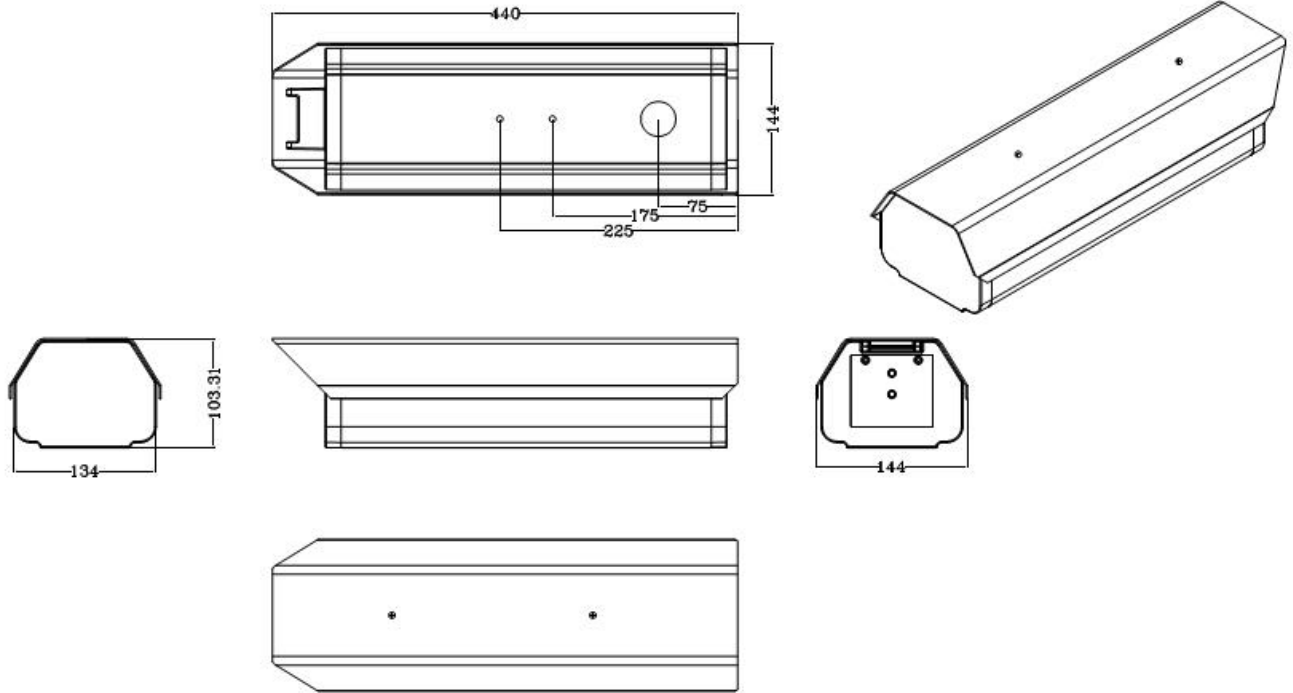
Recommended Installation

Installation height must be greater than 50cm

Detection range up to 6 meter



Dimension



***Product performances is based on testing in a controlled environment. Your result may vary due to several external and environment factors.**

© COPYRIGHT 2024. This documentation served as a reference only. It is subject to change without further notice. All the diagrams and information in this documentation may not be duplicated or modified in any form without the written approval from the management.

