

SPECIFICATION



SNP131 MAG License Plate Recognition



SNP131 - MAG License Plate Recognition

Description

Introducing the SNP131, the pinnacle of license plate recognition technology. Engineered with precision and cutting-edge AI, this advanced system delivers unparalleled accuracy and speed in identifying and capturing vehicle license plates.

Key Features

- **Superior Accuracy** : Boasting industry-leading accuracy rates, the SNP131 can reliably recognize license plates in various lighting conditions and angles.
- **Real-time Processing**: With its powerful processing capabilities, the SNP131 can capture and process license plates in real time.
- **Robust Hardware**: Built to withstand harsh environments, the SNP131 features durable construction and weatherproofing to ensure reliable performance in outdoor settings.
- **Versatility**: The SNP131 is designed to be adaptable to various environments and use cases from security surveillance to parking access control.

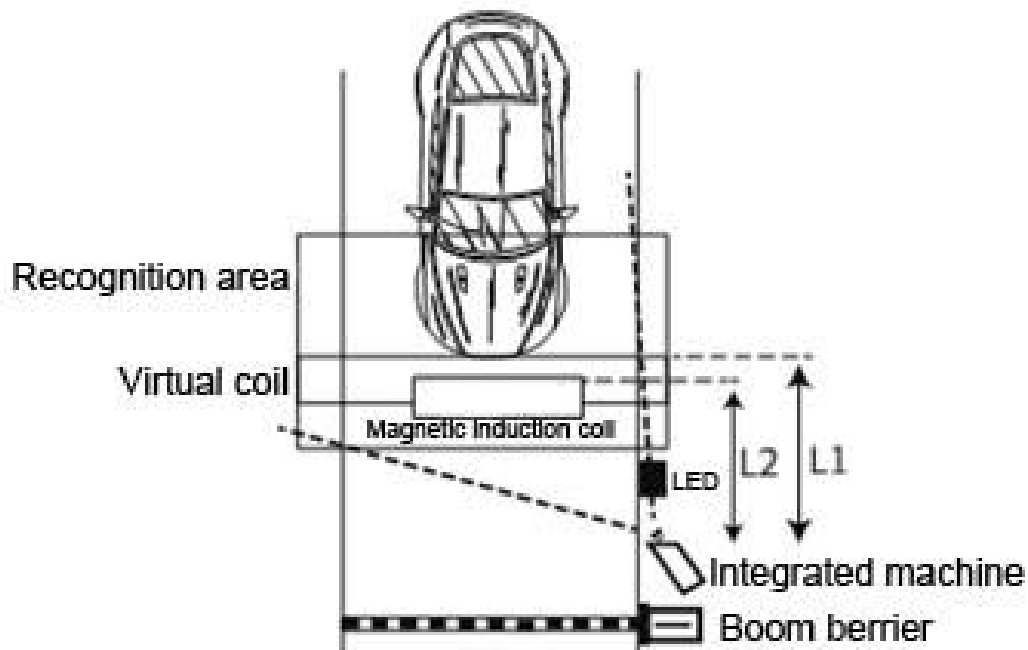
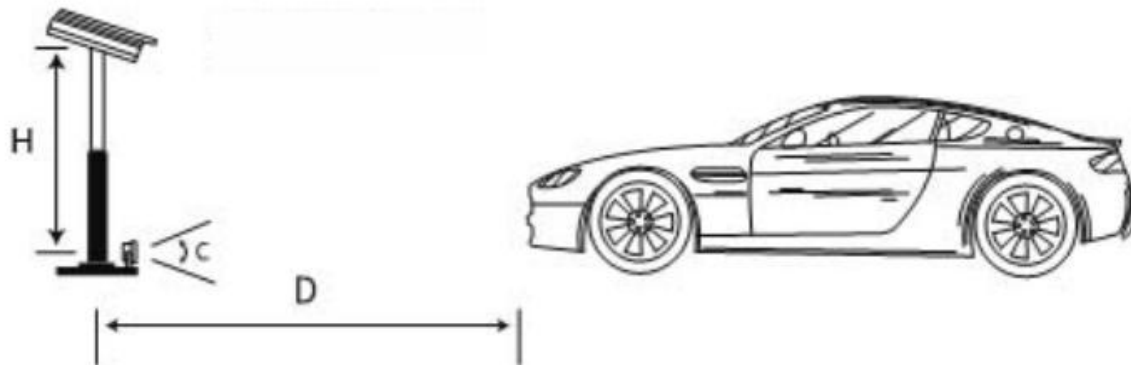
Technical Parameters

| General | |
|------------------------|--|
| Power Supply | 220VAC - 240VAC (50hz/60hz) |
| Power Output | 12VDC 2A |
| Operating Temperature | -20°C - 70°C |
| Dimensions | 452mm x 130mm x 104mm (L x W x H) |
| Camera | |
| Image Sensor | 1/2.8" Starlight CMOS |
| Resolution | 1920 x 1080 |
| Standard Configuration | 5 - 50mm motorized zoom lenses |
| Wide Dynamic | Support |
| Electronic Shutter | 0 - 1 ms (auto/manual) |
| Video | |
| Compression | H265/H264/MJPEG |
| Resolution | 640*360, 704*576, 1280*720, 1920*1080 |
| Bit Rate | 512 kbps - 5000 kbps |
| Frame Rate | 1 - 25 frames, (default 25 frames @ 1920*1080) |
| Image Setting | Brightness, Contrast, Saturation, Image flip, exposure time, etc |
| Noise Reduction | Support 2D/3D noise reduction |
| Interface | |
| Network Interface | RJ-45 (10/100Mbps) |
| I/O output | 2 channel |
| I/O Input | 4 channel |
| RS485 | 1 channel |
| SD Card Slot | 1 Micro SD Card Slot up to 128GB |
| Communication protocol | ONVIF, HTTP, RTSP, TCP/IP |
| Intelligence | |
| Capturing rate | Capturing rate $\geq 99.99\%$ |
| Recognition rate | Recognition rate $\geq 90\%$ (standard JPJ license plate) |
| ISP | Intelligent ISP (Image Signal Processor), scene-adaptive |
| Barrier Control | Relay out to control Barrier Gate |
| Detection Mode | Support Video detection or loop detection |

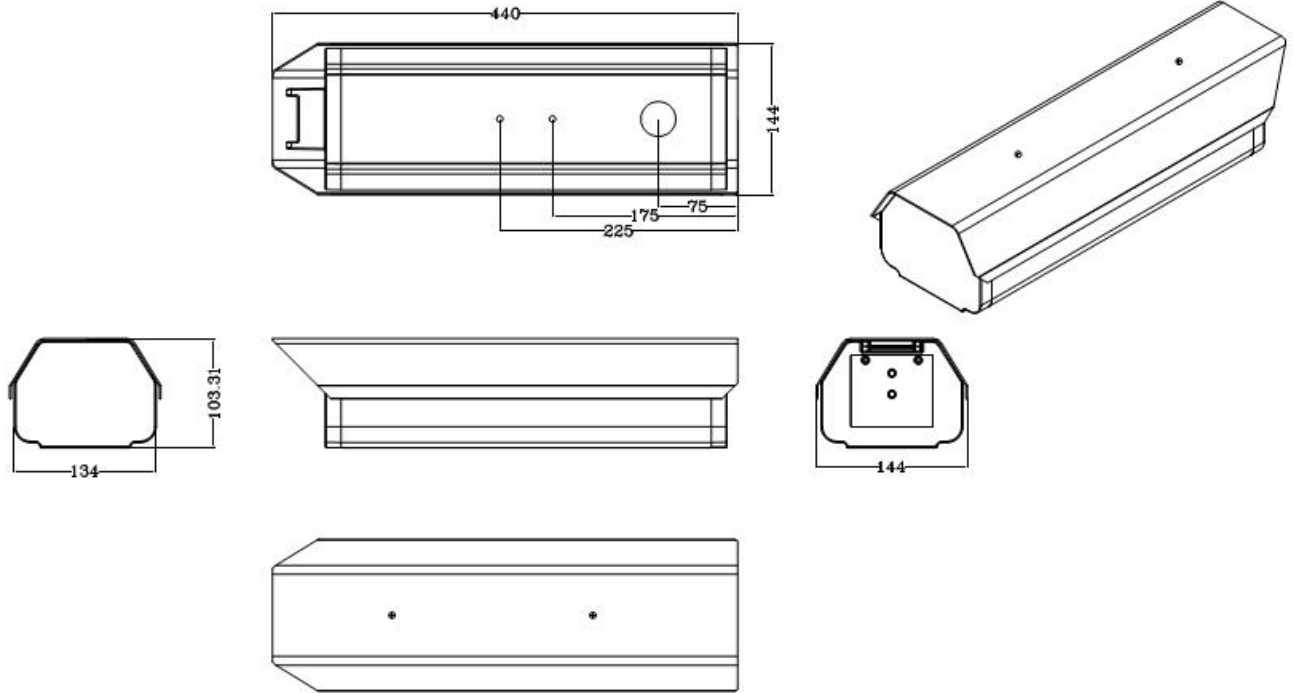
Recommended Installation

Installation height must be greater than 50cm

Detection range up to 6 meter



Dimension



***Product performances is based on testing in a controlled environment. Your result may vary due to several external and environment factors.**

© COPYRIGHT 2025. This documentation served as a reference only. It is subject to change without further notice. All the diagrams and information in this documentation may not be duplicated or modified in any form without the written approval from the management.

