

SPECIFICATION



**CM55020**  
**MAG IR Bullet**  
**5MP POE IP Camera**



## CM55020 MAG IR Bullet 5MP POE IP Camera

### Description

Introducing the CM55020 IR Camera 5MP network-based digital IP camera CCTV system. It comes with Easystar technology ensures high image quality in low illumination environment, to ensure better protection and enhancing surveillance capabilities

#### Features:

- ✓ High quality image with 5MP, 1/2.7" CMOS sensor
- ✓ 5MP (2880\*1620)@ 25/20fps; 4MP (2560\*1440)@ 25/20fps; 3MP (2304\*1296) @30/25fps;
- ✓ Easystar technology ensures high image quality in low illumination environment
- ✓ 120dB true WDR technology enables clear image in strong light scene
- ✓ Support 9:16 Corridor Mode
- ✓ Built-in Mic
- ✓ Smart IR, up to 50m (164ft) IR distance
- ✓ Supports 256 G Micro SD card
- ✓ IP67 protection
- ✓ Support PoE power supply
- ✓ 3-Axis

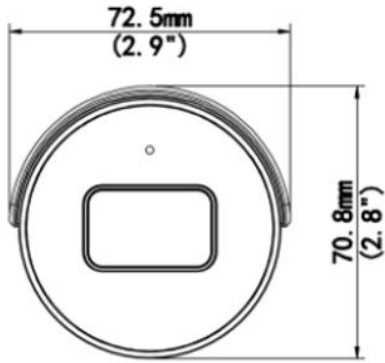
### Technical Parameters

Camera					
Sensor	1/2.7", 5.0 megapixel, progressive scan, CMOS				
Lens	4.0mm@F2.0				
DORI Distance	Lens (mm)	Detect (m)	Observe (m)	Recognize (m)	Identify (m)
	4.0	90	36	18	9
Angle of View (H)	91.2°				
Angle of View (V)	47.9°				
Angle of View (D)	95.9°				
Adjustment angle	Pan: 0° ~ 360°		Tilt: 0° ~ 90°		Rotate: 0° ~ 360°
Shutter	Auto/Manual, 1 ~ 1/100000s				
Minimum Illumination	Colour: 0.01Lux (F2.0, AGC ON) 0Lux with IR on				
Day/Night	IR-cut filter with auto switch (ICR)				
Digital noise reduction	2D/3D DNR				
S/N	>52dB				
IR Range	Up to 50m (164ft) IR range				
Wavelength	850nm				
IR On/Off Control	Auto/Manual				
Defog	Digital Defog				
WDR	DWDR				

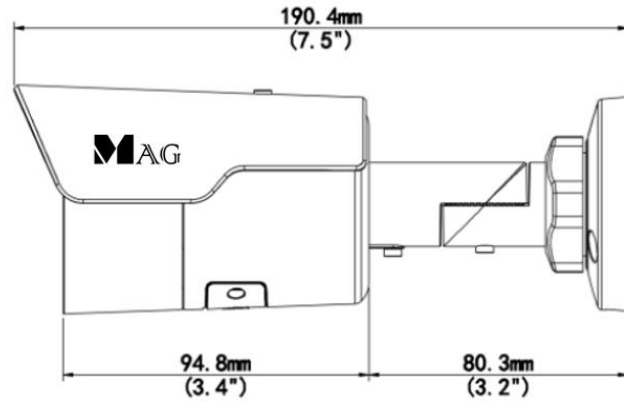
# SPECIFICATION

<b>Video</b>	
Video Compression	Ultra 265, H.265, H.264
H.264 code profile	Baseline profile, Main Profile, High Profile
Frame Rate	Main Stream: 1080P (1920*1080), Max 30fps; 720P (1280*720), Max 30fps; Sub Stream: D1 (720*576), Max 30fps; 640*360,Max 30fps; 2CIF(704*288), Max 30fps; CIF(352*288), Max 30fps;
Video Bit Rate	128 Kbps~16 Mbps
OSD	Up to 4 OSDs
Privacy Mask	Up to 4 areas
ROI	Up to 8 areas
<b>Audio</b>	
Audio Compression	G.711U , G.711A
Suppression	Support
Sampling Rate	8KHz
<b>Image</b>	
White Balance	Auto/Outdoor/Fine Tune/Sodium Lamp/Locked/Auto2
Digital noise reduction	2D/3D DNR
Smart IR	Supported
Flip	Normal/Vertical/Horizontal/180°
HLC	Supported
BLC	Supported
<b>Network</b>	
Protocols	IPv4, IGMP, ICMP, TCP, UDP, DHCP, RTP, RTSP, RTCP, DNS, DDNS, NTP, UPnP, HTTP,
Compatible Integration	ONVIF , API
<b>Interface</b>	
Network	1 RJ45 10M/100M Base-TX Ethernet
<b>General</b>	
Power	DC 12V±25%, PoE (IEEE 802.3af)
	Power consumption: Max 6W
Dimensions (L × W × H)	190 × 73 × 71mm (7.5" × 2.9" × 2.8")
0.27kg (0.60lb)	0.45kg (0.99lb)
Metal + Plastic	Metal + Plastic
Working Environment	-30°C ~ 60°C (-22°F ~ 140°F), Humidity: ≤95% RH (non-condensing)
IP67	IP67

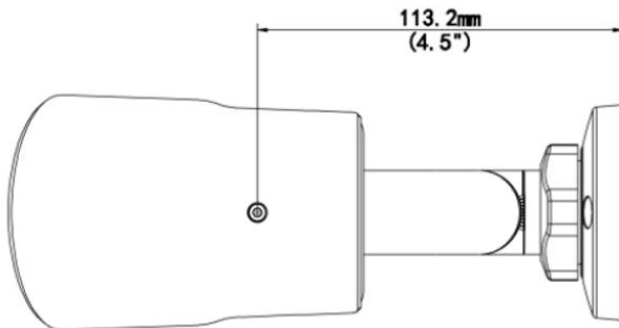
**Dimensions**



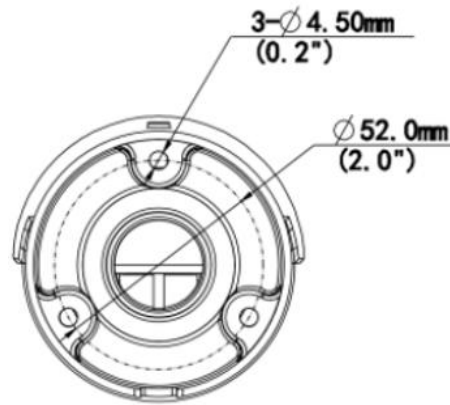
**Front View**



**Side View**



**Top View**



**Rear View**

\*Product performances is based on testing in a controlled environment. Your results may vary due to several external and environment factors.

© COPYRIGHT 2026. This documentation served as a reference only. It is subject to change without further notice. All the diagrams and information in this documentation may not be duplicated or modified in any form without the written approval from the management.

