

SPECIFICATION



CM55130
Dark Knight Bullet
5MP PoE IP Camera



CM55130 Dark Knight Bullet 5MP PoE IP Camera For Outdoor

Description

Introducing the CM55130 Dark Knight Bullet 5MP network-based digital IP camera CCTV system. It comes with ColorSense Smart LED white light and a built-in microphone to ensure better protection. Whether day or night, it delivers enhanced visual clarity and real-time audio capture, enhancing surveillance capabilities.

See Better at Night

Default infrared illumination allows you to see further at night. ColorSense technology turns on the white light when motion is detected, which enabling full-color recording when it matters the most for more effective evidence.

Hear Better at Night

Built-in high-sensitivity microphone to record intruder conversation or surrounding sound giving you another layer of awareness amidst no movement in total darkness.

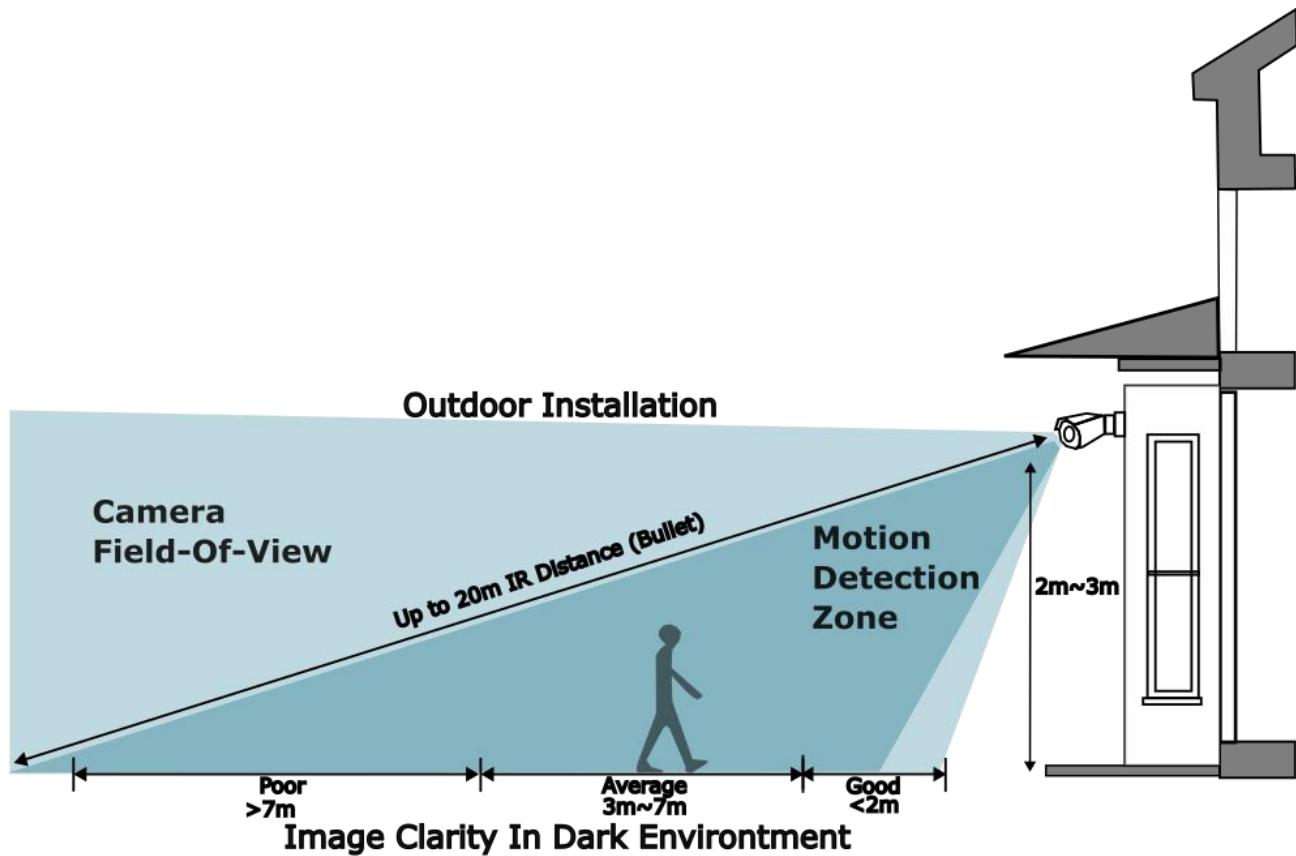
Combining visual and audio cues, the Dark Knight Series empowers you to grasp the situation comprehensively, enhancing your protection in night-time scenario.

Technical Parameters

Camera	
Pixels	5.0 Mega Pixel
Image Sensor	1/3", Progressive scan High Resolution CMOS Sensor
TV System	PAL/ NTSC
Main stream	2880*1616/ 2560*1440/ 2304*1296/ 1920*1080/ 1280*720
Sub-stream	800*448/ 704*576/ 640*360/ 352*288
Electronic Shutter Time	Auto: PAL 1/25~1/10000Sec; NTSC 1/25~1/10000Sec
Usable Illumination	0.01Lux
S/N Ratio	≥52dB
Video Output	Network

Network	
Ethernet	RJ-45 (10/ 100Mbps)
Protocol	HTTP, TCP/IP, IPv4, UPNP, RTSP, UDP, SMTP, NTP, DHCP,DNS, IP Filter, PPPoE, DDNS, IP Search
Compatible Integration	ONVIF (Profile S)
P2P, PoE, Audio	Supported
Video Delay	0.3S (Within the LAN)
Smart Phone	iPhone, iPad, Android and Android Pad
IE Browser	IE8-11, Google Chrome, FireFox, Safari and Mac Safari
Frames Per Second	5MP @30fps (60Hz), 5MP @25fps (50Hz)
Camera Features	
Day/Night	Full Color / B&W
Compression	H.264+ / H.265+
Image Configuration	Saturation /Brightness /Contrast /Sharpness, Mirror, 3D NR , White Balance, BLC and FLK (Flicker Control)
Motion Detection	Supported
Privacy Masking	3 Rectangular Zone
DWDR / WDR	DWDR
Recording Mode	NVR/ APP/ CMS/ Web
Audio	G.711
Lens	
Focus Length	F1.3 & 3.6mm
Focus Control	Fixed
Lens Type	Fixed
Night Vision	
Infrared LED	3PCS Smart Dual Light LED, available white light or IR only
Infrared Distance	20M
IR Status	Under 5 Lux by camera sensor
IR Power On	Sensor Auto Control
General	
Housing	Metal + Plastic
IP Rating	IP66
Anti-Cut Bracket	NO
IR Cut Filter	YES
Operation Temperature	-30°C ~ +60°C RH95% Max
Storage Temperature	-30°C ~ +60°C RH95% Max
Power Consumption	DC12V±10%, 500mA; POE 48-52V
Dimension	59(W) x 67(H) x 187(L)
Weight	0.38kg

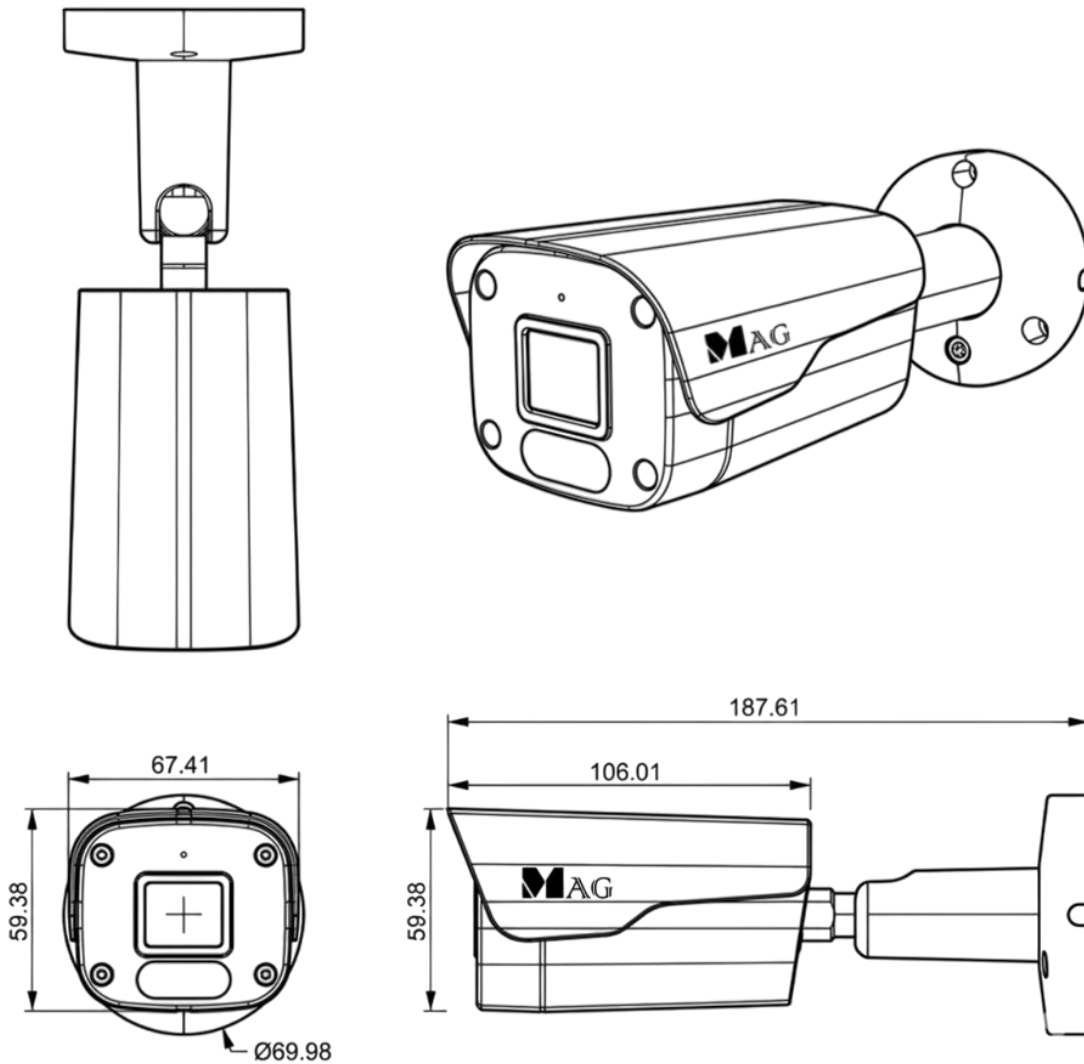
Outdoor Installation



Note:

The Dark Knight IP Camera IR distance is up to 20 meters. For motion detection zone distance can up to 12 meters. For the average clarity of the image during night-time recording, can up to 7 meters. A good recommendation installation is up to 3 meters height.

Dimension



***Product performance is based on testing in a controlled environment. Your results may vary due to several external and environmental factors.**

© COPYRIGHT 2026. This documentation served as a reference only. It is subject to change without further notice. All the diagrams and information in this documentation may not be duplicated or modified in any form without the written approval of the management.

