



Ensuring Your
Peace of Mind.

QUICK GUIDE

11 March 2024, v2.1

FR320 Face Recognition Reader

WWW.MAG.COM.MY

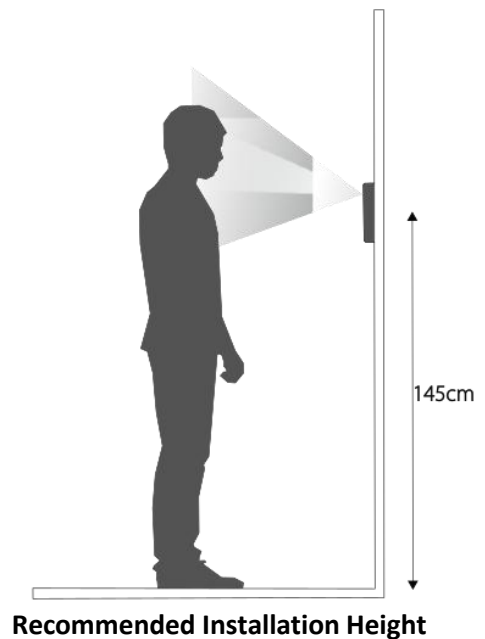
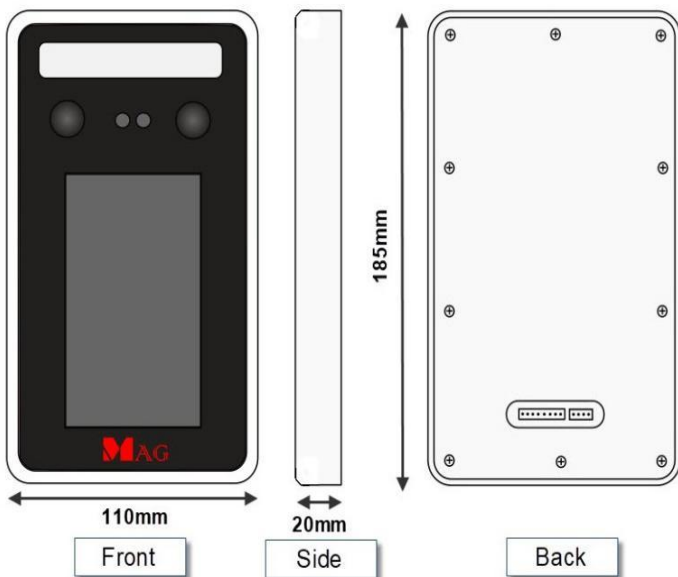


Technical Specification

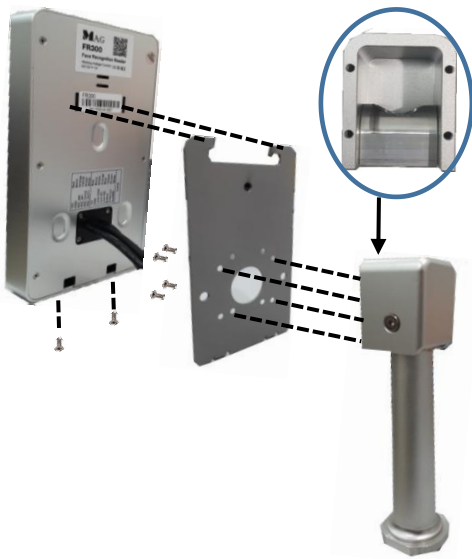
Description	Parameter
Access Mode	Face , Card, PIN or QR code. Face + PIN, Face + Card, Face + QR code. Face Only/Card Only/Pin Only
Validation Display	Name and avatar (enrolled picture as thumbnail)
Facial Scanning Range	Without live movement detection: 0.5-3m (normal sufficient lighting condition)
	With live movement detection: 0.5-1.5m (normal sufficient lighting condition)
Display Screen	5 inch Full HD Capacitive touch screen
Operating System	LINUX
Relay Output	Lock Relay dry contact output (N.O, N.C and COM) Alarm Relay transistor output (-12V)
Relay Input	Door sensor
Push Button Input	Yes
Communication Interface	TCPIP or WIFI (stability is dependent on wireless signal quality)
External Wiegand Port	Yes, WG26/34 Output/Input
Power Supply	DC 12V, 2A

Dimension

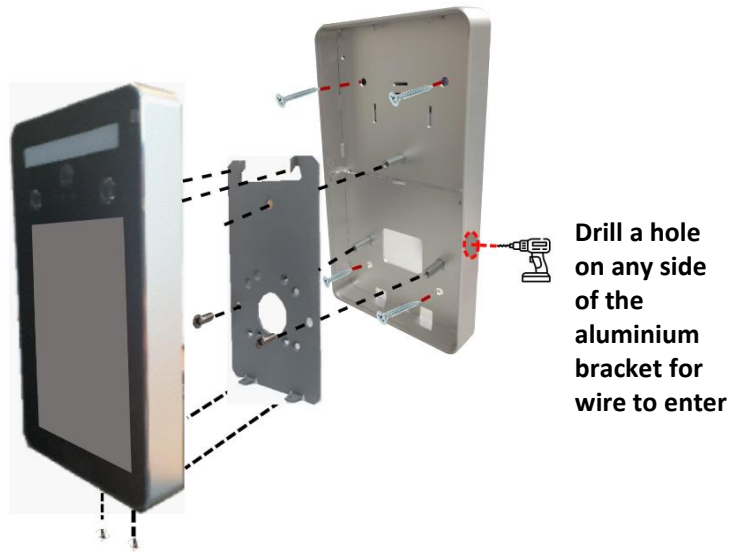
Installation Height



Pedestrian gate bracket mount



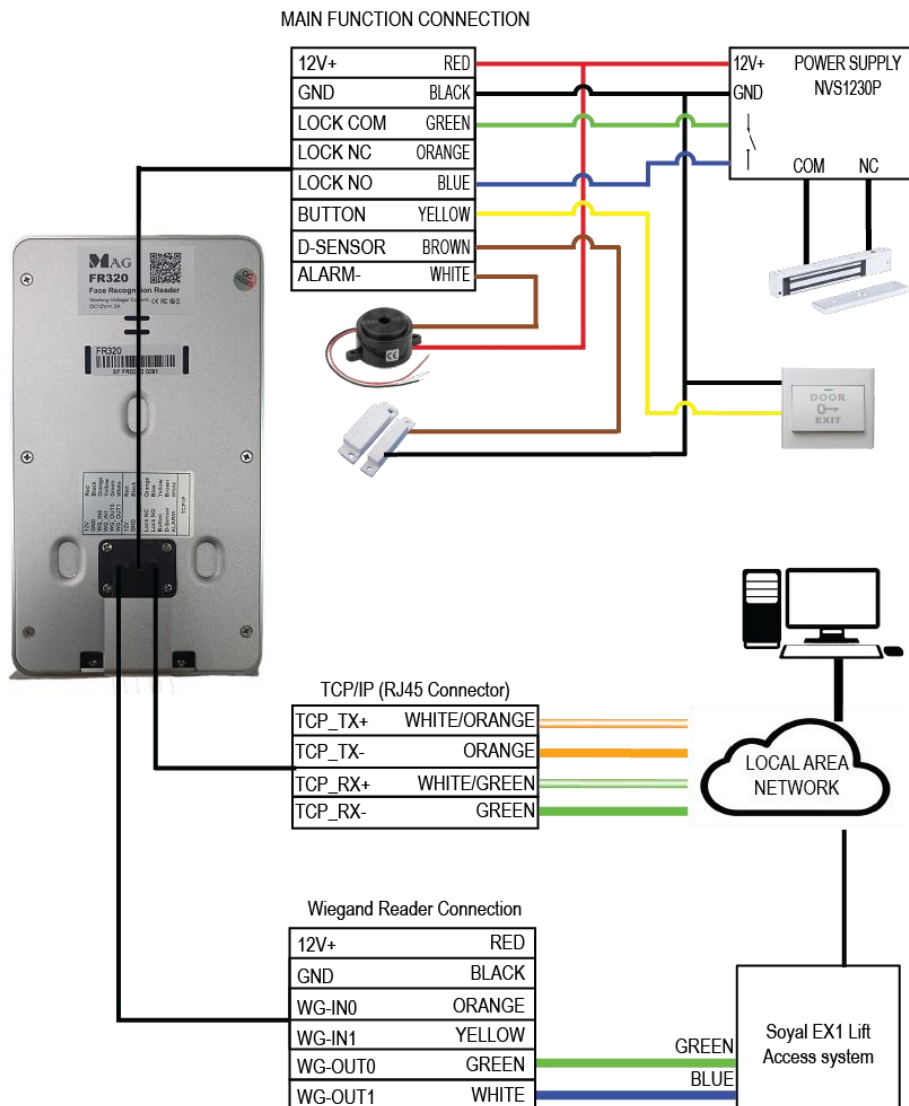
Wall mount



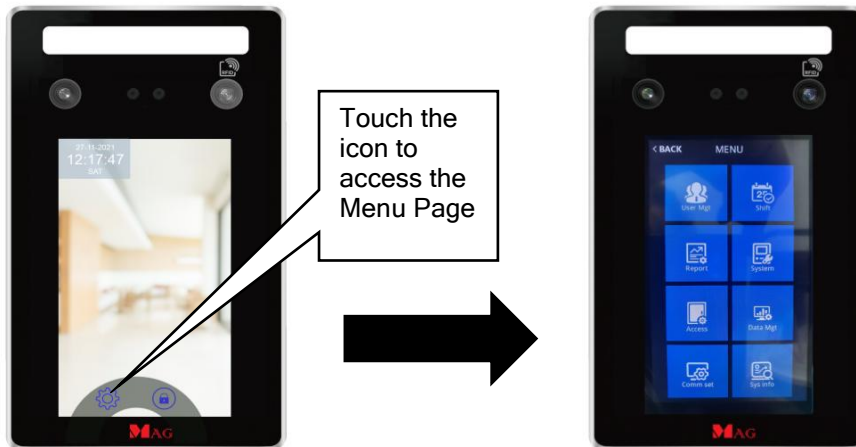
Drill a hole on any side of the aluminium bracket for wire to enter

Noted: Bracket is made from aluminum and easy to make a hole for surface installation *Wall Mount Sold Separately

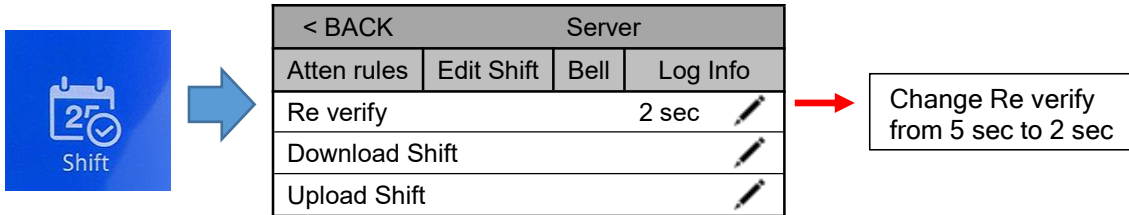
Wiring diagram and connection



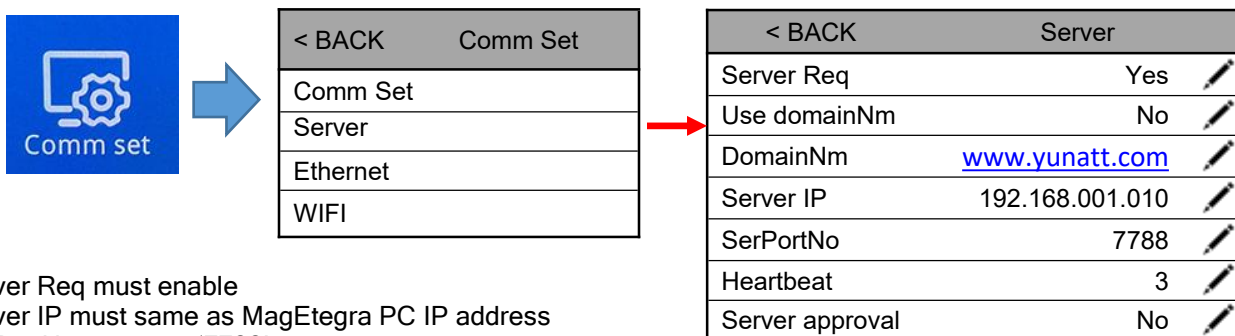
Functional setting



1) Frequency of sending event to ME-ACS



2) Sending event to ME-ACS



*Server Req must enable

*Server IP must same as MagEtegra PC IP address

*SerPortNo must use '7788'

3) Reader network IP address



< BACK	Comm Set
	Comm Set
	Server
	Ethernet
	WIFI

< BACK	Ethernet
DHCP	No
IP Address	192.168.001.020
Subnet Mask	255.255.255.000
Gate way	192.168.001.001
DNSServerIP	008.008.008.008
MAC Address	02:a9:31:a1:44:9f

- *DHCP must change to No.
- *IP Address must in unique

4) Relay output time



< BACK	Access
	Access
	Day timezone
	Week timezone
	Normal Open time

< BACK	Access
OD Delay	5 sec
Sensor Mode	NG
Sensor Delay	10 sec
Stranger Access	No
Stranger RFID Access	No
Door Passwords	*

- * OD Delay = Relay trigger duration
- * Sensor Mode = Magnetic Contact for NC/NO/NG
- *Sensor Delay = Alarm delay duration upon door open
- *Stranger Access = Allow open door with any face scan
- *Stranger RFID Access = Allow open door with any card scan
- *Door Passwords = min 1 digit ~ max 8 digit pin code to open door


5) Range and False Detection



< BACK	Server
Device Setup	Advanced Setup
Sleep Mode	15min
Screen Saver Wakeup	Face
Identify Distance	Long
Bio-Assay	Yes
Show Avatar	No

- *Sleep Mode = Duration by minutes to turn off screen
- *Screen Saver Wake up = Wake up screen either by Face or Touch
- * Identify Distance = Short (0.5m) / Middle (1.5m) /Long (3m) Scanning Range
- *Bio-Assay = No = Able to use photo to access / Yes = Not able to use photo to access
- *Show Avatar = No = Does not display thumbnail photo / Yes = Display thumbnail photo

6) Mask Detection



< BACK		Server	
Device Setup		Advanced Setup	
Max Admin		10	
Verify Mode		FA/C/P	
QR Code		Card -> QR Code	
1:N Identify		52	
Live threshold		10	
Wear Mask		No	
Mask threshold		50	

*Max Admin = How many operator to control the Device

* Verify Mode - FA/C/P = Face Access/ Card/QR Access/ Passwords Access

- Face + Pwd = Face and Passwords Access
- FA + C = Face and Card Access/ Face and QR code Access
- C + P = Card/QR Code and Passwords Access
- FA+(C/P) = Face and Card/QR or Passwords Access
- Card Only/ Face Only / Pin Only

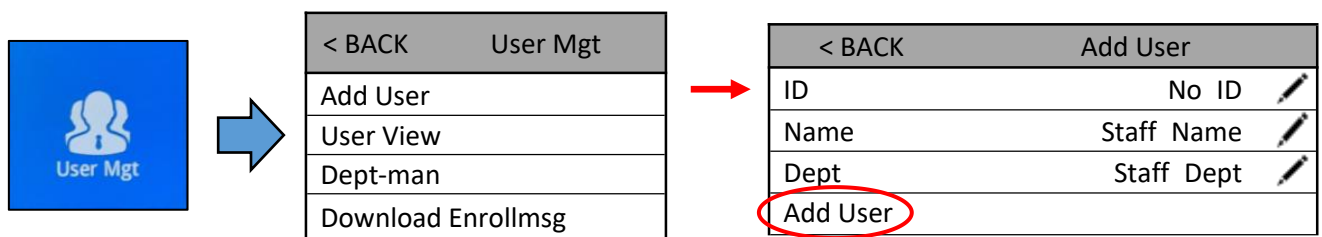
* QR Code - No = Disable QR Function
 - Visitor QRCode = Not Applicable
 - Card -> QR Code = Card Number convert to QR code
 - Server QR Code = Not Applicable

Wear Mask - No = Mask Detection disabled
 - Yes = Mask Detection enabled
 - Must = Mask compulsory for authorization

User Enrollment

1) User Registration

- Touch the User Mgt Icon > Add User > Configure the user information and touch Add User to confirm



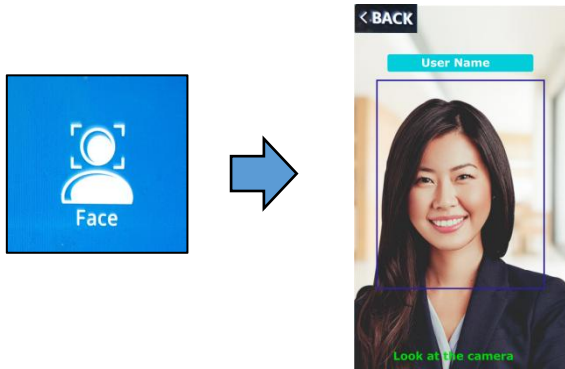
*ID = User unique ID

*Name = User name to be displayed

*Dept = User Department

2) User Face Enrollment

- Touch the Face Icon > Take Picture Inside a box > Touch enroll to confirm



- *Back = Back to Add User menu
- *Change Photos = To re-take picture
- *Enroll = To confirm picture taken

3) User RFID Card Enrollment

- Touch the RFID Card Icon > Touch the RFID card on the RFID icon > Click OK to confirm the card enrollment

* Each User only has 1 Card only



4) User Password Enrollment

- Touch the RFID Card Icon > Input the Password > Click OK to confirm



- * Each Password set need to verify 1 time
- * Each User only has 1 Password only

