

SPECIFICATION



TTS257 LINE TRIPOD TURNSTILE



TTS257 LINE TRIPOD TURNSTILE

Description

Introducing the innovative TTS257, an essential tripod turnstile designed for pedestrian access control. Rotor arms stay locked to barricade off unauthorized personnel and unlock when authorization signal is received. Each rotor arm is spaced at 120° to effectively block off most tail-gating attempt.

Through focusing on core functionality and streamlined build, TTS257 is designed to provide a cost-effective and robust solution for managing pedestrian traffic.

Features

✓ **Reliable**

Semi-automatic drive mechanism with springs ensure each rotation is automatically completed and rotor arm return to locked state. Shock absorber mitigates excessive impact, reducing wear-and tear to prolong service lifespan.

✓ **Robust**

Controller board is housed within a weatherproof casing at waist height for easier servicing by operators. This design also ensure the tripod turnstile can withstand most non-extreme weather without failure.

✓ **Anti-tailgating**

TTS257 Machine core is designed with Single Level Anti-Reverse (SLAR), which physically disallow any tailgating attempt by reversing an incomplete rotation.

✓ **Emergency Evacuation**

TTS257 will automatically drop its arm in case of power-loss, or when a fire alarm signal is received, to allow for unobstructed evacuation.

✓ **User Friendly**

RGB user guidance light is available on both sides to indicate lane availability. Clear buzzer sound cue intuitively guide users when the passage is allowed.

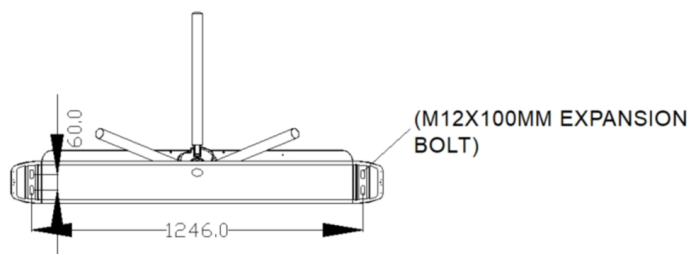
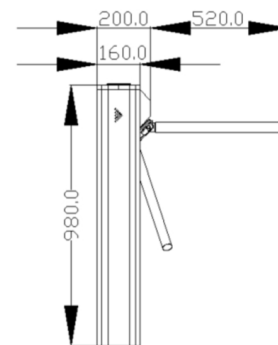
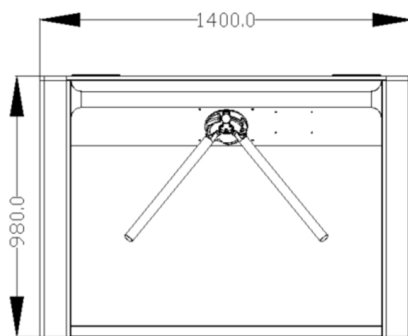
✓ **Easy Integration**

TTS257 can be integrated with any access control terminal through dry contact.

Technical Parameter

Description	Parameters
Body Material	Stainless Steel SUS304
Passage Width	550mm (recommended min. 30mm gap)
Optimal Flow Rate	Up to 35 person per minute
Power Supply	AC220/110V±10%, 50/60Hz
Power Consumption	35W
Mechanism	Semi-automatic tripod turnstile
Input Connection	Dry contact pulse
Working Environment	Indoor and sheltered outdoor
Working Temperature	-20°C - 70°C
Relative Humidity	≤ 90%, non-condensing
IP Rating	IP 54
MCBF	2.5 million cycles

Dimension



***Product performances is based on testing in a controlled environment. Your result may vary due to several external and environment factors.**

© COPYRIGHT 2026. This documentation served as a reference only. It is subject to change without further notice. All the diagrams and information in this documentation may not be duplicated or modified in any form without the written approval from the management.