

SPECIFICATION



BR600TA MAG TELESCOPIC BARRIER ARM



BR600TA MAG TELESCOPIC BARRIER ARM

Description

The standard arm 4m, 4.5m and 6m is too long and against JPJ government on the road regulation to be transported with a normal car or van. With our telescopic arm, it can be retracted to fit into a normal car or van. This helps you save money and hassle to rent an expensive big truck just to transport 1 replacement arm. The telescopic arm also is specially made to meet length according to customer requirement at site.

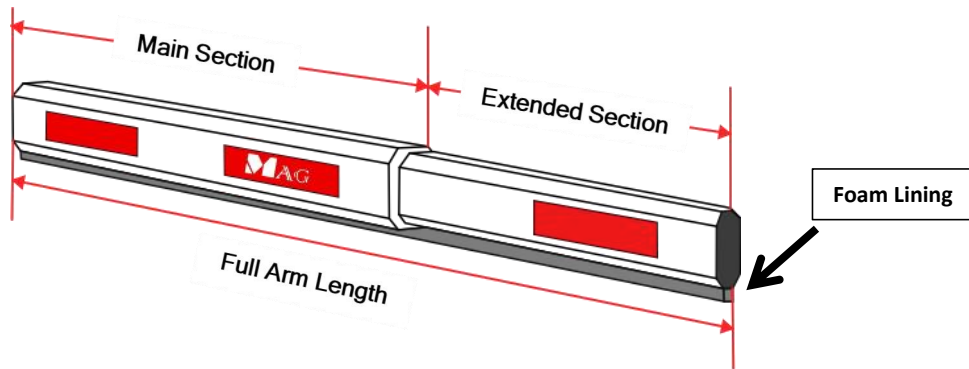
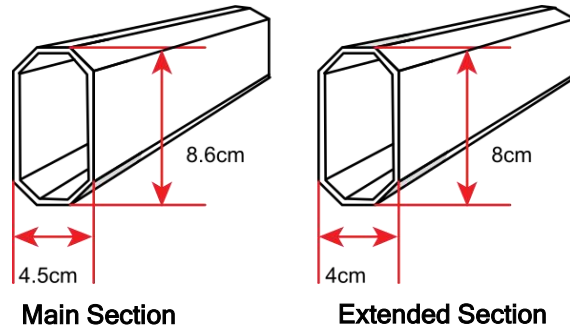
Features

- ✓ **Lower Cost to Replace an Arm** It is a common arm broken after hit by a car. Our telescopic arm can be retracted shorter to fit into a normal car or van. This helps you save money and hassle to rent an expensive big truck just to transport 1 replacement arm.
- ✓ **Spare Part Availability** If Arm is damaged, your site will be exposed to security threat if you have to wait a long time for spare parts to arrive from overseas. MAG offers full spare parts and repairing service locally at an affordable price to ensure your gate can resume operation in the shortest time possible.

Technical Parameter

Description	Parameters
Material	Aluminium Alloy
Dimension	Main Section - 45mm(W) x 86mm(H) Extended Section - 40mm(W) x 80mm(H)
Length	4m , 4.5m and 6m
Estimated weight for shipping	Up to 7kg
Lining underneath	Foam Lining

Dimension



Model Barrier Gate	Total Arm Length	Arm Length (Retracted)
BR430T	4m	2.54 meter
BR618T	4m	2.54 meter
BR630T	4.5m	2.88 meter
BR660T	6m	3.50 meter



***Product performances is based on testing in a controlled environment. Your result may vary due to several external and environment factors.**

© COPYRIGHT 2024. This documentation served as a reference only. It is subject to change without further notice. All the diagrams and information in this documentation may not be duplicated or modified in any form without the written approval from the management.